

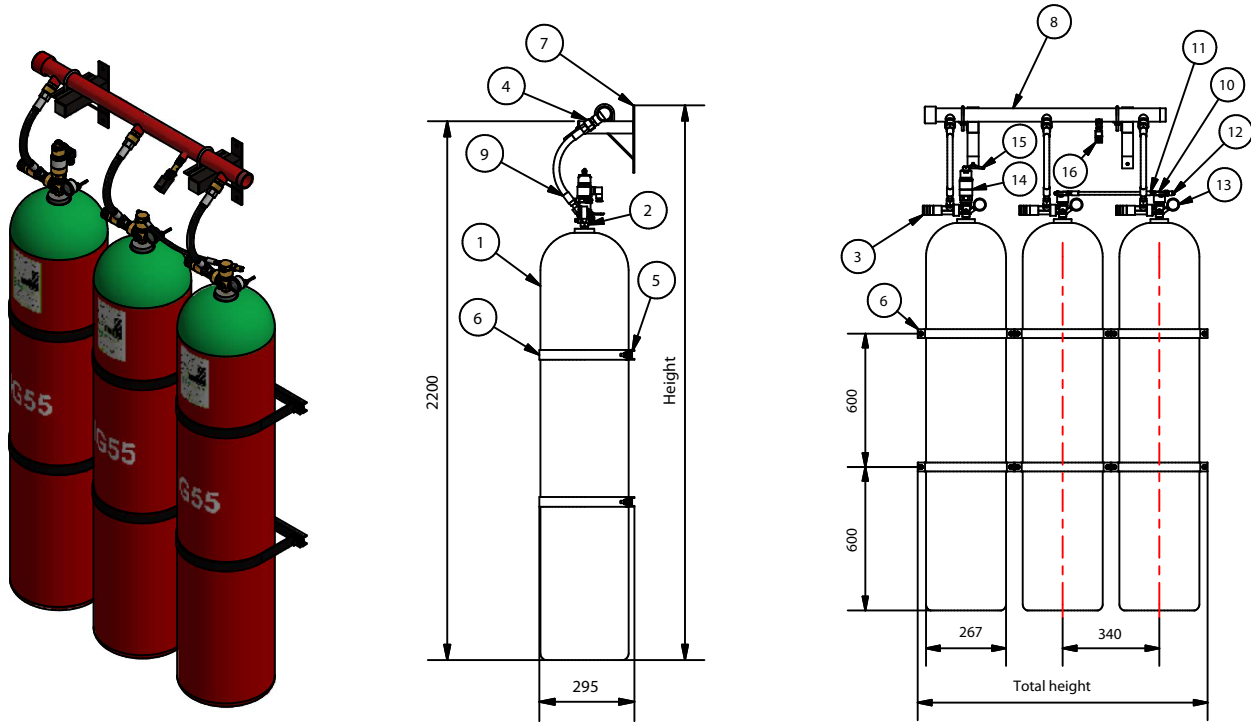
CYLINDERS BATTERY 80 L. SIMPLE ROW IG-55

AEX/IGB080-XX

| Reference | Number of cylinders | Load | Total weight* | Specifications | | Width | |
|---------------|---------------------|------------|---------------|---------------------|---------------------|----------------|----------|
| | | | | Collector Output ** | Collector reference | Longitud total | Height |
| AEX/IGB080-02 | 2 | 64.3 kg. | 290 kg. | Male NPT 2" | CIG2S2U080 | 708 mm. | 2265 mm. |
| AEX/IGB080-03 | 3 | 96.45 Kg. | 435 Kg. | Male NPT 2" | CIG2S3U080 | 1048 mm. | 2265 mm. |
| AEX/IGB080-04 | 4 | 128.6 Kg. | 580 kg. | Male NPT 2" | CIG2S4U080 | 1388 mm. | 2265 mm. |
| AEX/IGB080-05 | 5 | 160.75 Kg. | 725 kg. | Male NPT 2" | CIG2S5U080 | 1728 mm. | 2265 mm. |
| AEX/IGB080-06 | 6 | 192.9 Kg. | 870 Kg. | Male NPT 2" | CIG2S6U080 | 2068 mm. | 2265 mm. |
| AEX/IGB080-07 | 7 | 225.05 Kg. | 1015 Kg. | Male NPT 2" | CIG2S7U080 | 2408 mm. | 2265 mm. |
| AEX/IGB080-08 | 8 | 257.2 kg. | 1160 kg. | Male NPT 2" | CIG2S8U080 | 2748 mm. | 2265 mm. |
| AEX/IGB080-09 | 9 | 289.35 kg. | 1305 Kg. | Male NPT 2" | CIG2S9U080 | 3088 mm. | 2265 mm. |
| AEX/IGB080-10 | 10 | 321.5 Kg. | 1450 kg. | Male NPT 2" | CIG2S10U080 | 3428 mm. | 2265 mm. |
| AEX/IGB080-11 | 11 | 353.65 kg. | 1595 Kg. | Flange 2 1/2" | CIG212S11U080 | 3804 mm. | 2335 mm. |
| AEX/IGB080-12 | 12 | 385.8 Kg. | 1740 Kg. | Flange 2 1/2" | CIG212S12U080 | 4144 mm. | 2335 mm. |
| AEX/IGB080-13 | 13 | 417.95 kg. | 1885 Kg. | Flange 2 1/2" | CIG212S13U080 | 4484 mm. | 2335 mm. |
| AEX/IGB080-14 | 14 | 450.1 Kg. | 2030 Kg. | Flange 2 1/2" | CIG212S14U080 | 4824 mm. | 2335 mm. |

* Weight includes IG-55 load, cylinders, valves, regulators, gauges, actuators, and hoses.

** The collector diameter can vary depending on the hydraulic calculations of each installation. This may have a slight impact on overall dimensions.



| Parts List | | Parts List | |
|------------|-----------------------------------|------------|-------------------------------------|
| Part | Reference and Description | Part | Reference and Description |
| 1 | AEX_S-IGB080C - Bottle 80 L IG-55 | 9 | AEX-IGL34 - Discharge hose |
| 2 | AEX-IGV - Discharge valve | 10 | AEX-FKAN - Pneumatic actuator |
| 3 | AEX-IGR60 - Pressure regulator | 11 | AEX-IGLM12 - Trip hose |
| 4 | AEX-IGVR1 - Retention valve | 12 | AEX-FKVA - Relief valve |
| 5 | HTP(x)I340 - Rear crossbar | 13 | AEX-IGMCNC300 - Contact manometer |
| 6 | H402AP - Arc | 14 | AEX-IGAE - Electric actuator |
| 7 | HSCI1 - Support | 15 | AEX-FKAM - Manual actuator |
| 8 | CIG(x)S(y)U080 - Collector | 16 | AEX-CP1 - Pass contactor (optional) |



Av. Alfonso Peña Boeuf, 6 y 9
28022 MADRID - ESPAÑA
TEL: +34 913121656
FAX: +34 913295820

DATA SHEET

CYLINDERS BATTERY 80 L. SIMPLE ROW IG-55

Description: Complete cylinder bank, equipped with manual and electric actuator, pressure regulators, contact pressure gauges, hoses and manifold.

| | | | | | | | | |
|------------------|-------------------|------------|---------|------------|----------|------------|---------|---------|
| Code data sheet: | group data sheet: | Reference: | Drawn : | Date: | Revised: | Date: | Review: | Format: |
| AEX-FTC-09-051 | IG-55 | VER TABLA | DCM | 15/02/2021 | ENC | 15/02/2021 | 1 | A4 |